

## EXV Technical Data High Lift Pallet Truck

---



EXV 10 Basic/Li-Ion

---

EXV 10/Li-Ion

---

EXV 12 (i)/Li-Ion

---

EXV 14 C (i)/Li-Ion

---

EXV 14 (i)/Li-Ion

---

EXV 14 D/Li-Ion

---

EXV 16 (i)/Li-Ion

---

EXV 16 D/Li-Ion

---

EXV 20 (i)

---

EXV 20 D

---



Distinguishing marks	1.1 Manufacturer		STILL	STILL	STILL	STILL	STILL	STILL	STILL	STILL	STILL	STILL	STILL	STILL	STILL				
	1.2 Manufacturer's type designation		EXV 10 Basic/Li-Ion	EXV 10/Li-Ion	EXV 12/Li-Ion	EXV 12i	EXV 14 C/Li-Ion	EXV 14i C	EXV 14i C	EXV 14i C	EXV 14i C	EXV 14i C	EXV 14i C	EXV 14i C	EXV 14i C	EXV 14i C			
	Mast		Single	Tele	HiLo	Tele	HiLo	Triplex	Tele	HiLo	Triplex	Tele	HiLo	Triplex	Tele	HiLo	Triplex		
	1.3 Drive		Electric	Electric	Electric	Electric	Electric	Electric	Electric	Electric	Electric	Electric	Electric	Electric	Electric	Electric	Electric		
	1.4 Operator type		Pedestrian	Pedestrian	Pedestrian	Pedestrian	Pedestrian	Pedestrian	Pedestrian	Pedestrian	Pedestrian	Pedestrian	Pedestrian	Pedestrian	Pedestrian	Pedestrian	Pedestrian		
	1.5 Rated capacity/rated load		Q	kg	1000	1000	1200	1200	1200	1200	1200	1400	1400	1400	1400	1400	1400		
	1.6 Load centre distance		c	mm	600	600	600	600	600	600	600	600	600	600	600	600	600		
	1.8 Load distance, centre of drive axle to fork		x	mm	715 <sup>1</sup>	695 <sup>1</sup>	695 <sup>1</sup>	695 <sup>1</sup>	638	709 <sup>3</sup>	709 <sup>3</sup>	652 <sup>3</sup>	721	721	697	641 <sup>3</sup>	641 <sup>3</sup>	617 <sup>3</sup>	
	1.9 Wheel base		y	mm	1157 Li-Ion: 1177	1157 Li-Ion: 1177	1157 Li-Ion: 1177	1157 Li-Ion: 1177	1291	1291	1291	1056	1322	1322	1174	1256 <sup>3,5</sup>	1256 <sup>3,5</sup>	1256 <sup>3,5</sup>	
Weights	2.1 Service weight incl. battery			kg	708	788	788	788	935	909	909	1056	1042	1042	1174	1048	1048	1180	
	2.2 Axle loading laden		drive end/load end	kg	670/1038	695/1093	720/1268	720/1268	770/1365	759/1350	759/1350	814/1442	813/1629	813/1629	868/1707	872/1576	872/1576	925/1655	
	2.3 Axle loading unladen		drive end/load end	kg	518/190	572/216	572/216	572/216	651/284	643/266	643/266	710/346	736/307	736/307	816/359	742/307	742/307	820/360	
Tyres/chassis	3.1 Tyres				Solid rubber	Polyurethane	Polyurethane	Polyurethane	Polyurethane	Polyurethane	Polyurethane	Polyurethane	Polyurethane	Polyurethane	Polyurethane	Polyurethane	Polyurethane		
	3.2 Tyre size		drive end	mm	Ø 230 x 75	Ø 230 x 75	Ø 230 x 75	Ø 230 x 75	Ø 230 x 75	Ø 230 x 75	Ø 230 x 75	Ø 230 x 75	Ø 230 x 75	Ø 230 x 75	Ø 230 x 75	Ø 230 x 75	Ø 230 x 75		
	3.3 Tyre size		load end	mm	1x Ø 85 x 100	1x Ø 85 x 100	1x Ø 85 x 100	1x Ø 85 x 100	1x Ø 85 x 100	1x Ø 85 x 85	1x Ø 85 x 85	1x Ø 85 x 85	1x Ø 85 x 100	1x Ø 85 x 100	1x Ø 85 x 85	1x Ø 85 x 85	1x Ø 85 x 85		
	3.4 Support castor size			mm	Ø 140 x 54	Ø 140 x 54	Ø 140 x 54	Ø 140 x 54	Ø 140 x 54	Ø 140 x 54	Ø 140 x 54	Ø 140 x 54	Ø 140 x 54	Ø 140 x 54	Ø 140 x 54	Ø 140 x 54	Ø 140 x 54		
	3.5 Number of wheels (x = driven)		drive end/load end		1 x -1/2	1 x -1/2	1 x -1/2	1 x -1/2	1 x -1/2	1 x -1/2	1 x -1/2	1 x -1/2	1 x -1/2	1 x -1/2	1 x -1/2	1 x -1/2	1 x -1/2		
	3.6 Tread		drive end/load end	b <sub>10</sub> /b <sub>11</sub>	mm	518/380	518/380	518/380	518/380	518/380	518/380	518/380	518/380	518/380	518/380	518/380	518/380	518/380	
Dimensions	4.2 Height		mast lowered	h <sub>1</sub>	mm	See mast table	See mast table	See mast table	See mast table	See mast table	See mast table	See mast table	See mast table	See mast table	See mast table	See mast table	See mast table		
	4.3 Free lift			h <sub>2</sub>	mm	See mast table	See mast table	See mast table	See mast table	See mast table	See mast table	See mast table	See mast table	See mast table	See mast table	See mast table	See mast table		
	4.4 Lift			h <sub>3</sub>	mm	See mast table	See mast table	See mast table	See mast table	See mast table	See mast table	See mast table	See mast table	See mast table	See mast table	See mast table	See mast table		
	4.5 Height		mast extended	h <sub>4</sub>	mm	See mast table	See mast table	See mast table	See mast table	See mast table	See mast table	See mast table	See mast table	See mast table	See mast table	See mast table	See mast table		
	4.6 Initial lift			h <sub>5</sub>	mm	-	-	-	-	130	130	130	-	-	-	130	130		
	4.9 Height drawbar in driving position		min./max.	h <sub>14</sub>	mm	740/1230	740/1230	740/1230	740/1230	740/1230	740/1230	740/1230	740/1230	740/1230	740/1230	740/1230	740/1230		
	4.15 Fork height, lowered			h <sub>13</sub>	mm	86	86	86	86	86	86	86	86	86	86	86	86		
	4.19 Overall length			l <sub>1</sub>	mm	1768 Li-Ion: 1788	1788 Li-Ion: 1808	1788 Li-Ion: 1808	1788 Li-Ion: 1808	1845 Li-Ion: 1865	1907	1907	1964	1927 <sup>6</sup>	1927 <sup>6</sup>	1951 <sup>6</sup>	1940 <sup>5,6</sup>	1940 <sup>5,6</sup>	1964 <sup>5,6</sup>
	4.20 Length to face of forks			l <sub>2</sub>	mm	618 <sup>1</sup> Li-Ion: 638 <sup>1</sup>	638 <sup>1</sup> Li-Ion: 658 <sup>1</sup>	638 <sup>1</sup> Li-Ion: 658 <sup>1</sup>	638 <sup>1</sup> Li-Ion: 658 <sup>1</sup>	695 Li-Ion: 715	757 <sup>1</sup>	757 <sup>1</sup>	814	777	777	801	790 <sup>5</sup>	790 <sup>5</sup>	814 <sup>5</sup>
	4.21 Overall width			b <sub>1</sub>	mm	800	800	800	800	800	800	800	800	800	800	800	800		
	4.22 Fork dimensions			s/e/l	mm	65/180/1150	65/180/1150	65/180/1150	65/180/1150	60/180/1150	65/180/1150	60/180/1150	65/180/1150	60/180/1150	55/182/1150	55/182/1150	55/182/1150		
	4.24 Fork carriage width			b <sub>3</sub>	mm	534 <sup>1</sup>	534 <sup>1</sup>	534 <sup>1</sup>	534 <sup>1</sup>	710	534	710	780	780	780	780	780		
	4.25 Overall fork width			b <sub>5</sub>	mm	560	560	560	560	560	560	560	560	560	560	560	560		
	4.32 Ground clearance, centre of wheel base			m <sub>2</sub>	mm	30	30	30	30	30	20/150	20/150	30	30	30	20	20		
	4.34 Aisle width for pallets 800 x 1200 lengthways			A <sub>st</sub>	mm	2247 Li-Ion: 2267	2263/2251 <sup>2</sup> Li-Ion: 2283/2271 <sup>2</sup>	2263/2251 <sup>2</sup> Li-Ion: 2283/2271 <sup>2</sup>	2263/2251 <sup>2</sup> Li-Ion: 2283/2271 <sup>2</sup>	2308/2296 <sup>2</sup> Li-Ion: 2328/2316 <sup>2</sup>	2391/2378 <sup>3</sup> /2369 <sup>2,3</sup>	2391/2378 <sup>3</sup> /2369 <sup>2,3</sup>	2434/2423 <sup>3</sup> /2414 <sup>2,3</sup>	2397/2389 <sup>2</sup>	2416/2408 <sup>2</sup>	2398 <sup>3,5</sup> /2389 <sup>2,3,5</sup>	2418 <sup>3,5</sup> /2409 <sup>2,3,5</sup>		
4.35 Turning radius			W <sub>s</sub>	mm	1418 Li-Ion: 1438	1418/1406 <sup>2</sup> Li-Ion: 1438/1426 <sup>2</sup>	1418/1406 <sup>2</sup> Li-Ion: 1438/1426 <sup>2</sup>	1418/1406 <sup>2</sup> Li-Ion: 1438/1426 <sup>2</sup>	1544 <sup>4</sup> /1535 <sup>2,3</sup>	1544 <sup>4</sup> /1535 <sup>2,3</sup>	1544 <sup>4</sup> /1535 <sup>2,3</sup>	1573 <sup>4</sup> /1565 <sup>2,4</sup>	1573 <sup>4</sup> /1565 <sup>2,4</sup>	1511 <sup>4,5</sup> /1502 <sup>2,4,5</sup>	1511 <sup>4,5</sup> /1502 <sup>2,4,5</sup>	1511 <sup>4,5</sup> /1502 <sup>2,4,5</sup>			
Performance data	5.1 Travel speed		laden/unladen	km/h	6.0/6.0	6.0/6.0	6.0/6.0	6.0/6.0	6.0/6.0	6.0/6.0	6.0/6.0	6.0/6.0	6.0/6.0	6.0/6.0	6.0/6.0	6.0/6.0			
	5.1.1 Travel speed, backwards		laden/unladen	km/h	6.0/6.0	6.0/6.0	6.0/6.0	6.0/6.0	6.0/6.0	6.0/6.0	6.0/6.0	6.0/6.0	6.0/6.0	6.0/6.0	6.0/6.0	6.0/6.0			
	5.2 Lift speed		laden/unladen	m/s	0.12/0.16	0.11/0.23	0.11/0.20	0.15/0.30	0.15/0.26	0.15/0.26	0.15/0.30	0.15/0.26	0.15/0.26	0.14/0.25	0.14/0.25	0.14/0.25			
	5.3 Lowering speed		laden/unladen	m/s	0.23/0.23	0.30/0.28	0.31/0.25	0.40/0.30	0.29/0.31	0.29/0.31	0.40/0.30	0.29/0.31	0.29/0.31	0.34/0.26	0.34/0.19	0.29/0.19	0.34/0.26	0.34/0.19	0.29/0.19
	5.8 Max. gradeability kB 5		laden/unladen	%	5/10	5/10	5/10	5/10	5/10	7/15	7/15	7/15	5/10	5/10	5/10	7/15			
	5.9 Acceleration time over 10 m		laden/unladen	m/s	8.0/7.0	8.0/7.0	8.0/7.0	8.3/7.0	8.3/7.0	8.4/7.5	8.4/7.5	8.4/7.5	8.0/7.0	8.0/7.0	8.0/7.0	8.0/7.0			
	5.10 Service brake				Electromagnetic	Electromagnetic	Electromagnetic	Electromagnetic	Electromagnetic	Electromagnetic	Electromagnetic	Electromagnetic	Electromagnetic	Electromagnetic	Electromagnetic	Electromagnetic			
Electric engine	6.1 Drive motor rating S2 = 60 min			kW	1.2	1.2	1.2	1.2	1.2	1.2	1.2	1.2	1.2	1.2	1.2				
	6.2 Lift motor rating S3 = 15%			kW	2.2/5%	1.5/7%	3.2/10%	3.2/10%	3.2/10%	3.2/10%	3.2/10%	3.2/10%	3.2/10%	3.2/10%	3.2/10%				
	6.3 Battery according to DIN 43531/35/36 A, B, C, no				No	No	No	No	No	No	No	No	DIN 43535 B - No <sup>7</sup>	DIN 43535 B - No <sup>7</sup>	No				
	6.4 Battery voltage/Rated capacity K <sub>s</sub>			V/Ah	24/150 Li-Ion: 24/82	24/150 Li-Ion: 24/82	24/150 Li-Ion: 24/82	24/150 Li-Ion: 24/82	24/150 Li-Ion: 24/82	24/165	24/165	24/165	24/250 - 24/315 <sup>7</sup> Li-Ion: 24/82	24/250 - 24/315 <sup>8</sup>	24/250 - 24/315 <sup>8</sup>				
	6.5 Battery weight ±5% (depends on make)			kg	195/51 (A1)	195/51 (A1)	195/51 (A1)	195/51 (A1)	195/51 (A1)	200	200	200	212-263 <sup>7</sup> /51 (A1)	212-263 <sup>7</sup> /51 (A1)	200 - 249 <sup>8</sup>				
	6.6 Energy consumption according to VDI cycle			kWh/h	0.72	0.72	0.72	0.72	0.72	1.00	1.00	1.00	1.14	1.14	1.14				
Misc.	8.1 Drive control				AC control	AC control	AC control	AC control	AC control	AC control	AC control	AC control	AC control	AC control	AC control				
	8.4 Sound pressure level at driver's ear			dB(A)	65	65	65	65	65	65	65	65	67	67	67				

<sup>1</sup> With fork width s = 60 mm for pallet cage l<sub>2</sub> + 44 mm (measure x - 44 mm) for single mast + 35 mm (measure x - 35 mm) for tele and HiLo mast; b<sub>3</sub> = 710 mm

<sup>2</sup> Values with tiller in creep speed position

<sup>3</sup> Initial lift raised; with initial lift lowered: EXV 12i (measure x + y + 71 mm); EXV 14i C (measure x + y + 80 mm)

<sup>4</sup> Initial lift raised; with initial lift lowered: EXV 12i W<sub>s</sub> + 67 mm; EXV 14i C + 75 mm

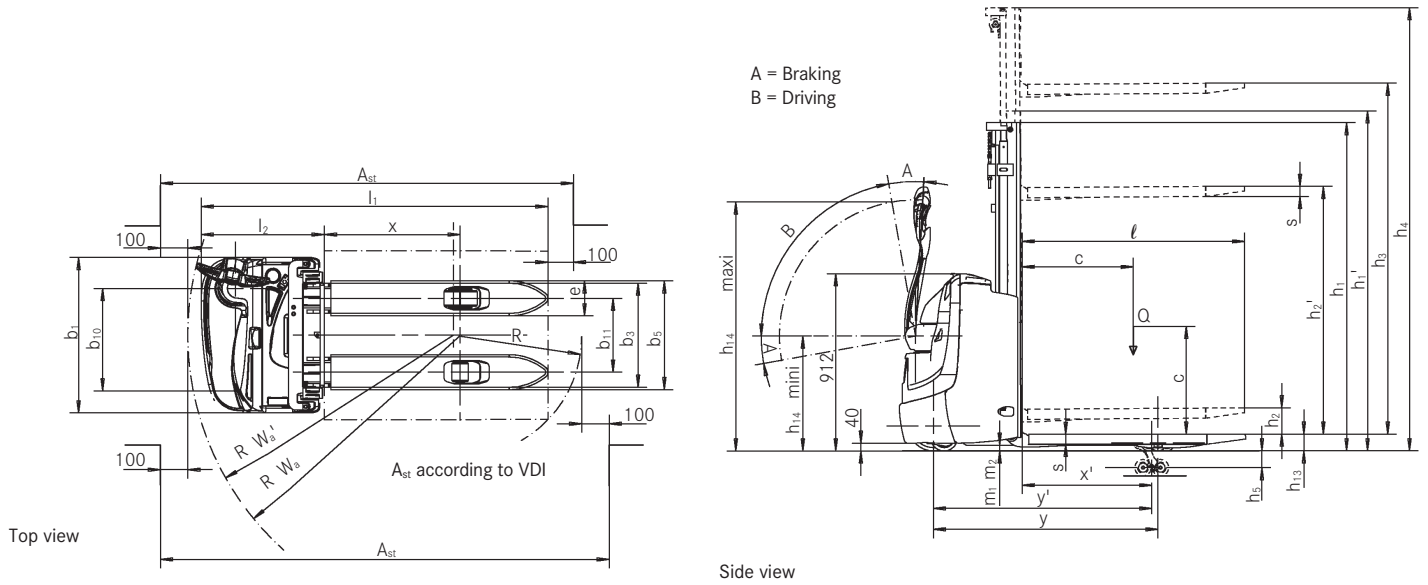
<sup>5</sup> With tray 66: + 45 mm

<sup>6</sup> With fork length 1150 mm; with fork length 950: - 200 mm

<sup>7</sup> With tray 65 (lateral battery change)

<sup>8</sup> With tray 66

EXV 10 - EXV 14 C High Lift Pallet Truck  
 Technical Drawings



Mast Tables

			Single		Tele						
			EXV 10 Basic		EXV 10 - EXV 12 - EXV 12i						
EXV 10 - EXV 12i	Height	$h_1$	mm	1940	2390	1490	1690	1940	2140	2390	2590
	Mast height with used free lift ( $h_3 = 150$ mm)	$h_1'$	mm	1940	2390	1565	1765	2015	2215	2465	2665
	Free lift <sup>1</sup>	$h_2$	mm	1462	1912	150	150	150	150	150	150
	Lift	$h_3$	mm	1462	1912	2024	2424	2924	3324	3824	4224
	Height, mast extended <sup>2</sup>	$h_4$	mm	-	-	2502	2902	3402	3802	4302	4702

			HiLo						Triplex		
			EXV 10 - EXV 12 - EXV 12i						EXV 12 - EXV 12i		
EXV 10 - EXV 12i	Height	$h_1$	mm	1490	1690	1940	2140	2390	2590	1690	1940
	Mast height with used free lift ( $h_3 = 150$ mm)	$h_1'$	mm	1490	1690	1940	2140	2390	2590	1690	1940
	Free lift <sup>1</sup>	$h_2$	mm	1012	1212	1462	1662	1912	2112	1212	1462
	Lift	$h_3$	mm	2024	2424	2924	3324	3824	4224	3636	4386
	Height, mast extended <sup>2</sup>	$h_4$	mm	2502	2902	3402	3802	4302	4702	4118	4868

<sup>1</sup> With load backrest - 404 mm

<sup>2</sup> With load backrest + 404 mm

			Tele							
			EXV 14 C - EXV 14i C							
EXV 14 C - EXV 14i C	Height	$h_1$	mm	1415	1665	1915	2115	2365	2565	2815
	Mast height with used free lift ( $h_3 = 150$ mm)	$h_1'$	mm	1490	1740	1990	2190	2440	2640	2890
	Free lift <sup>1</sup>	$h_2$	mm	150	150	150	150	150	150	150
	Lift	$h_3$	mm	1844	2344	2844	3244	3744	4144	4644
	Height, mast extended <sup>2</sup>	$h_4$	mm	2364	2864	3364	3764	4264	4664	5164

			HiLo						Triplex					
			EXV 14 C - EXV 14i C											
EXV 14 C - EXV 14i C	Height	$h_1$	mm	1415	1665	1915	2115	2365	2565	1665	1915	2065	2265	2315
	Mast height with used free lift ( $h_3 = 150$ mm)	$h_1'$	mm	1415	1665	1915	2115	2365	2565	1665	1915	2065	2265	2315
	Free lift <sup>1</sup>	$h_2$	mm	895	1145	1395	1595	1845	2045	1145	1395	1545	1745	1795
	Lift	$h_3$	mm	1844	2344	2844	3244	3744	4144	3516	4266	4716	5316	5466
	Height, mast extended <sup>2</sup>	$h_4$	mm	2364	2864	3364	3764	4264	4664	4036	4786	5236	5836	5986

<sup>1</sup> With load backrest - 566 mm

<sup>2</sup> With load backrest + 566 mm

HiLo: High stacking under low roof

EXV 10 - EXV 14 C High Lift Pallet Truck  
Power meets innovation



EXV 10 - EXV 14 C High Lift Pallet Truck  
Detailed Photos

---



Tangibly better: control elements can be easily differentiated by their tactile characteristics



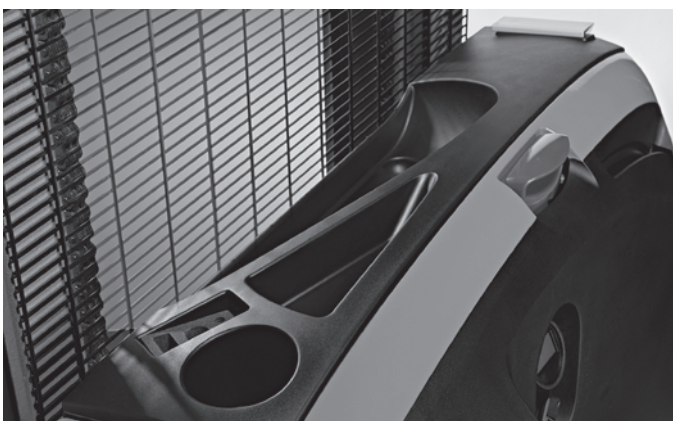
Best suited to ramps: initial lift helps the EXV drive up ramps with ease



Optional initial lift gives greater ground clearance on uneven floors



Easy threading into the pallets: fast and precise operation thanks to rounded forks



Hands free: practical storage compartments and a writing pad with built-in clipboard



Unauthorised access not possible: access authorisation by key, PIN code, chip or card

EXV 10 - EXV 14 C High Lift Pallet Truck  
Power meets innovation

---



## EXV 10 - EXV 14 C High Lift Pallet Truck

### Power meets innovation

---

Optimum utilisation of storage area: high storage compaction due to high residual load capacity

Always safe with OptiSpeed: travel speed adapts to tiller angle

Impressive reloading of pallets: fast operation due to compact dimensions



Everything you need to know about EXV pallet stackers fitted with unique OptiSpeed tillers. The speed of this manually guided warehouse assistant is automatically modified depending on the distance between the operator and the truck. The control elements of the tiller are not only equally suited to left and right-handed operators, but the operator does not even have to look during operation: all of the push buttons can be easily differentiated from each other without looking due to their tactile characteristics. They also can be reached comfortably with one hand without grasping.

And as if that wasn't enough: the truck is particularly impressive on ramps due to its stability and automatic stopping capability whenever the tiller is released. Sophisticated lower damping which smoothly slows down the lowering speed shortly before floor contact, protects goods during the storage processes. The EXV makes it possible for goods to be more densely packed in storage and easily removed than ever before. Its high residual load capacity and extraordinary mobility make this compact pallet truck unbeatable when it comes to moving a large quantities of goods quickly and safely in confined spaces using a manual device – regardless of being moved around the pre-storage area or placed onto shelving.

## Extensive Equipment

---

### Power

---

- Enough power for multiple shifts: high battery capacity and optional lateral battery changing
- Extreme availability: the lithium-ion battery possesses incredible energy and allows for quick and easy interim charging
- Optimum utilisation of storage area: high storage compaction due to high residual load capacity
- Powerful, reliable and low-maintenance AC drive motor
- Impressive reloading of pallets due to excellent battery capacity

### Precision

---

- Compact and mobile: gets to work effortlessly in confined spaces and narrow aisles
- Two drive programs for extreme accuracy – ECO and BOOST
- Precise work in tight spaces: sensitive lifting/lowering controls and optional inching function available
- Protection of the transported goods due to lower damping and precise lifting and lowering steering
- Fast and precise operation thanks to rounded forks for easy threading into the pallets

### Ergonomics

---

- Non-fatiguing operation thanks to ergonomically optimised control elements, which are suitable for both left and right-handed operators
- Fast operation, without needing to look at the buttons: buttons can be clearly differentiated by their tactile characteristics
- Optional lateral battery change for even greater availability

### Compactness

---

- Impressive reloading of pallets: fast operation due to compact dimensions
- Extremely mobile due to short and narrow design

### Safety

---

- Always safe out and about due to tiller angle-dependent speed: speed is automatically modified depending on the distance between the operator and the truck (not possible with EXV Basic)
- Safe operation in every situation due to perfectly positioned and sensitive impact plate
- Always the best view of the load and prongs thanks to wide mast
- Excellent driver safety due to automatic braking when tiller is released
- Safe operation even in confined spaces: curved tiller shape protects the driver from getting trapped in front

### Environmental Responsibility

---

- Low operating costs: low energy consumption and long maintenance intervals
- Energy efficient due to energy recovery when braking

# EXV 10 - EXV 14 C High Lift Pallet Truck Equipment Variants



		EXV 10 Basic	EXV 10	EXV 12	EXV 12i	EXV 14 C	EXV 14i C
General	Integrated storage facilities	●	●	●	●	●	●
	Easy-grip tiller for left and right-handed operators	●	●	●	●	●	●
	Different driving programmes	●	●	●	●	●	●
	Fork length 950 mm	—	—	—	—	○	○
	Fork length 1000 mm	—	○	○	○	○	—
	Cold storage version	○	○	○	○	○	○
	Proportional valve technology for sensitive movements	—	●	●	●	●	●
Mast	Single mast	●	—	—	—	—	—
	Tele mast	—	○	○	○	○	○
	HiLo	—	○	○	○	○	○
	Triplex mast	—	—	○	○	○	○
	Lift unit protective grille	●	●	●	●	●	●
	Protective mast screen made from polycarbonate	—	○	○	○	○	○
	Colour-coded load capacity diagram on the mast	—	○	○	○	○	○
Wheels	Initial lift	—	—	—	●	—	●
	Drive wheel tyres, polyurethane	●	●	●	●	●	●
	Drive wheel tyres, polyurethane, profiled	—	○	○	○	○	○
	Drive wheel tyres, solid rubber	—	○	○	○	○	○
	Drive wheel tyres, solid rubber, profiled	—	○	○	○	○	○
	Drive wheel tyres, solid rubber, natural-coloured	—	○	○	○	○	○
	Drive wheel tyres, solid rubber, natural-coloured, profiled	—	○	○	○	○	○
	Load roller tyres, polyurethane, single	●	●	●	●	●	●
	Load roller tyres, polyurethane, tandem	—	○	○	○	○	○
	Powerful AC drive motor for very low maintenance costs	●	●	●	●	●	●
Safety	Fully enclosed components which are impervious to dirt and dust	●	●	●	●	●	●
	FleetManager: access authorisation, shock detection, reports	○	○	○	○	○	○
	OptiSpeed tiller: max. driving speed controlled by the tiller angle	—	○	●	●	●	●
	Driving at creep speed and lifting/lowering with vertical tiller	—	○	○	○	○	○
	PIN code access	○	○	○	○	○	○
	Foot guard	○	○	○	○	○	○
Battery system	Load backrest	○	○	○	○	○	○
	Battery changing from the side with roller track	—	—	—	—	○	—
	Battery changing using crane	●	●	●	●	●	●
	Battery compartment for 150 Ah to 200 Ah batteries	●	●	●	—	—	—
	Battery compartment for 225 Ah to 235 Ah batteries	—	—	—	●	—	●
	Battery compartment for 200 Ah to 250 Ah batteries	—	—	—	—	●	—
	Battery compartment for 240 Ah to 315 Ah batteries	—	—	—	—	—	○
	Battery compartment for 240 Ah to 315 Ah batteries, for lateral battery change	—	—	—	—	○	—
STILL Li-Ion battery 82 Ah	○	○	○	—	○	—	
STILL Li-Ion battery 164 Ah	○	○	○	—	○	—	

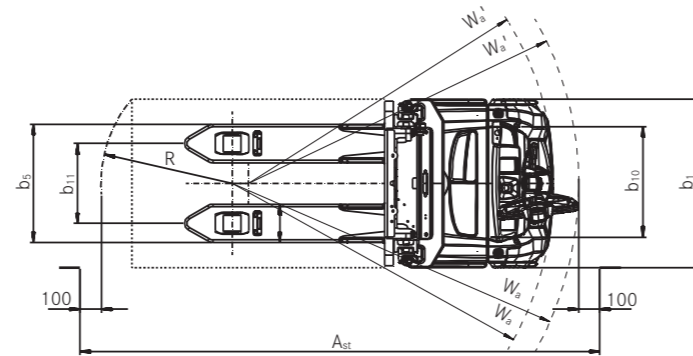
● Standard ○ Option — Not available



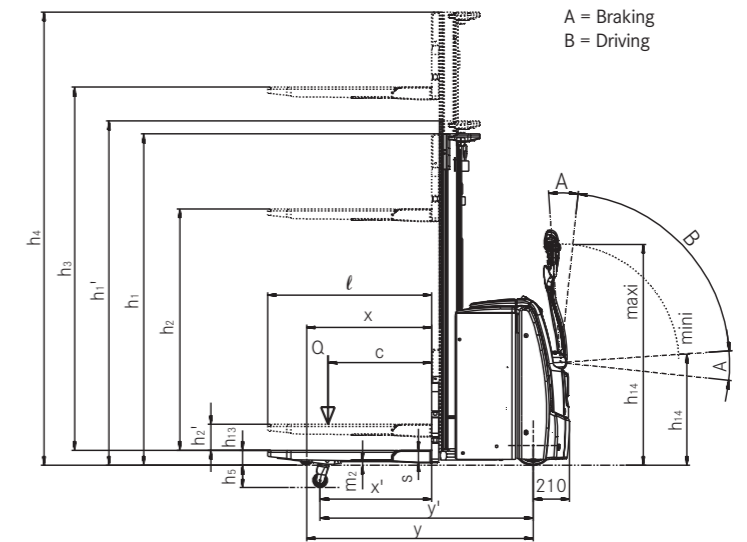


		EXV 14/Li-Ion	EXV 14i/Li-Ion	EXV 14 D	EXV 16/Li-Ion	EXV 16i/Li-Ion	EXV 16 D	EXV 20	EXV 20i	EXV 20 D	
Distinguishing marks	1.1 Manufacturer										
	1.2 Manufacturer's type designation										
	1.3 Drive	Electric	Electric	Electric	Electric	Electric	Electric	Electric	Electric	Electric	
	1.4 Operator type	Pedestrian	Pedestrian	Pedestrian	Pedestrian	Pedestrian	Pedestrian	Pedestrian	Pedestrian	Pedestrian	
Weights	1.5 Rated capacity/rated load	Q kg 1400	1400 (2000) <sup>1</sup>	1400/1000+1000 (2000) <sup>1</sup>	1600	1600 (2000) <sup>1</sup>	1600/1000+1000 (2000) <sup>1</sup>	2000	2000	2000/1000+1000 (2000)	
	1.6 Load centre distance	c mm 600	600	600	600	600	600	600	600	600	
	1.8 Load distance, centre of drive axle to fork	x mm 724 <sup>2</sup>	724 <sup>2</sup> /646 <sup>2,3</sup>	924 <sup>2</sup> /846 <sup>2,3</sup>	724 <sup>2</sup>	724 <sup>2</sup> /646 <sup>2,3</sup>	924 <sup>2</sup> /846 <sup>2,3</sup>	724 <sup>2</sup>	724 <sup>2</sup> /646 <sup>2,3</sup>	924 <sup>2</sup> /846 <sup>2,3</sup>	
Tyres/chassis	1.9 Wheel base	y mm 1311 <sup>4</sup>	1311 <sup>4</sup> /1233 <sup>3,4</sup>	1511 <sup>4</sup> /1433 <sup>3,4</sup>	1311 <sup>4</sup>	1311 <sup>4</sup> /1233 <sup>3,4</sup>	1511 <sup>4</sup> /1433 <sup>3,4</sup>	1425	1425/1347 <sup>3</sup>	1625 <sup>4</sup> /1547 <sup>3,4</sup>	
	2.1 Service weight (incl. battery)	kg 1178 <sup>5</sup>	1144 <sup>5</sup>	1173 <sup>5</sup>	1178 <sup>5</sup>	1144 <sup>5</sup>	1173 <sup>5</sup>	1505 <sup>5</sup>	1439 <sup>5</sup>	1466 <sup>5</sup>	
	2.2 Axle loading, laden	drive end/load end kg 964/1614	889/1655	1109/1464	983/1795	896/1847	1144/1629	1307/2198	1135/2303	1452/2014	
	2.3 Axle loading, unladen	drive end/load end kg 867/311	836/308	885/288	867/311	836/308	885/288	1063/441	1019/420	1076/390	
	3.1 Tyres		Polyurethane	Polyurethane	Polyurethane	Polyurethane	Polyurethane	Polyurethane	Polyurethane	Polyurethane	
Dimensions	3.2 Tyre size	drive end mm $\varnothing$ 230 x 90	$\varnothing$ 230 x 90	$\varnothing$ 230 x 90	$\varnothing$ 230 x 90	$\varnothing$ 230 x 90	$\varnothing$ 230 x 90	$\varnothing$ 230 x 90	$\varnothing$ 230 x 90	$\varnothing$ 230 x 90	
	3.3 Tyre size	load end mm $\varnothing$ 85 x 85 ( $\varnothing$ 85 x 60) <sup>6</sup>	$\varnothing$ 85 x 85 ( $\varnothing$ 85 x 60) <sup>6</sup>	$\varnothing$ 85 x 85 ( $\varnothing$ 85 x 60) <sup>6</sup>	$\varnothing$ 85 x 85 ( $\varnothing$ 85 x 60) <sup>6</sup>	$\varnothing$ 85 x 85 ( $\varnothing$ 85 x 60) <sup>6</sup>	$\varnothing$ 85 x 85 ( $\varnothing$ 85 x 60) <sup>6</sup>	$\varnothing$ 85 x 85 ( $\varnothing$ 85 x 60) <sup>6</sup>	$\varnothing$ 85 x 105 ( $\varnothing$ 85 x 80) <sup>6</sup>	$\varnothing$ 85 x 85 ( $\varnothing$ 85 x 80) <sup>6</sup>	
	3.4 Support castor size	mm $\varnothing$ 150 x 50	$\varnothing$ 150 x 50	$\varnothing$ 150 x 50	$\varnothing$ 150 x 50	$\varnothing$ 150 x 50	$\varnothing$ 150 x 50	$\varnothing$ 150 x 50	2x $\varnothing$ 140 x 50	2x $\varnothing$ 140 x 50	
	3.5 Number of wheels (x = driven)	drive end/load end 1x + 1/2 (1x + 1/4) <sup>6</sup>	1x + 1/2 (1x + 1/4) <sup>6</sup>	1x + 1/2 (1x + 1/4) <sup>6</sup>	1x + 1/2 (1x + 1/4) <sup>6</sup>	1x + 1/2 (1x + 1/4) <sup>6</sup>	1x + 1/2 (1x + 1/4) <sup>6</sup>	1x + 1/2 (1x + 1/4) <sup>6</sup>	1x + 1/2 (1x + 1/4) <sup>6</sup>	1x + 1/2 (1x + 1/4) <sup>6</sup>	
	3.6 Tread	drive end/load end b <sub>10</sub> /b <sub>11</sub> mm 534/380	534/380	534/380	534/380	534/380	534/380	534/380	534/380	534/380	
	4.2 Height	mast lowered h <sub>1</sub> mm		See mast table			See mast table		See mast table	See mast table	
	4.3 Free lift	h <sub>2</sub> mm		See mast table			See mast table		See mast table	See mast table	
	4.4 Lift	h <sub>3</sub> mm		See mast table			See mast table		See mast table	See mast table	
	4.5 Height	mast extended h <sub>4</sub> mm		See mast table			See mast table		See mast table	See mast table	
	4.6 Initial lift	h <sub>5</sub> mm	-	110	110	-	110	110	-	110	110
4.9 Height drawbar in driving position	min./max. h <sub>14</sub> mm	800/1250	800/1250	800/1250	800/1250	800/1250	800/1250	800/1250	800/1250	800/1250	
4.15 Fork height, lowered	h <sub>13</sub> mm	86	86	86	86	86	86	86	86	86	
4.19 Overall length	l <sub>1</sub> mm	1950 <sup>2,4</sup>	1950 <sup>2,4</sup>	1950 <sup>2,4</sup>	1950 <sup>2,4</sup>	1950 <sup>2,4</sup>	1950 <sup>2,4</sup>	2065 <sup>2</sup>	2065 <sup>2</sup>	2065 <sup>2,4</sup>	
4.20 Length to face of forks	l <sub>2</sub> mm	800 <sup>2,4</sup>	800 <sup>2,4</sup>	800 <sup>2,4</sup>	800 <sup>2,4</sup>	800 <sup>2,4</sup>	800 <sup>2,4</sup>	915 <sup>2</sup>	915 <sup>2</sup>	915 <sup>2</sup>	
4.21 Overall width	b <sub>1</sub> mm	800	800	800	800	800	810	810	810	800	
4.22 Fork dimensions	s/e/l mm	55 <sup>8</sup> /182/1150	55 <sup>8</sup> /182/1150	55 <sup>8</sup> /182/1150	55 <sup>8</sup> /182/1150	55 <sup>8</sup> /182/1150	55 <sup>8</sup> /182/1150	73 <sup>8</sup> /210/1150	73 <sup>8</sup> /210/1150	61/201/1150	
4.24 Fork carriage width	b <sub>3</sub> mm	780	780	780	780	780	780	780	780	780	
4.25 Distance between fork arms	b <sub>5</sub> mm	560/680	560/680	560/530	560/680	560/680	560/530	580/680-570 <sup>8</sup>	580/680-570 <sup>8</sup>	570/542	
4.32 Ground clearance, centre of wheel base	m <sub>2</sub> mm	30	20/130 <sup>3</sup>	20/130 <sup>3</sup>	30	20/130 <sup>3</sup>	20/130 <sup>3</sup>	20	20/130 <sup>3</sup>	20/130 <sup>3</sup>	
4.34 Working aisle width for pallet 800 x 1200 lengthways	A <sub>st</sub> mm	2348 <sup>4,7,10</sup> /2453 <sup>4,7</sup> /2465 <sup>4</sup>	2333 <sup>3,4,7,10</sup> /2436 <sup>3,4,7</sup> /2448 <sup>3,4</sup>	2384 <sup>3,4,7,10</sup> /2499 <sup>3,4</sup>	2348 <sup>4,7,10</sup> /2453 <sup>4,7</sup> /2465 <sup>4</sup>	2333 <sup>3,4,7,10</sup> /2436 <sup>3,4,7</sup> /2448 <sup>3,4,10</sup>	2384 <sup>3,4,7,10</sup> /2499 <sup>3,4</sup>	2462 <sup>7,10</sup> /2567 <sup>7</sup> /2579	2447 <sup>3,7,10</sup> /2550 <sup>3,7</sup> /2562 <sup>3</sup>	2498 <sup>3,4,7,10</sup> /2613 <sup>3,4</sup>	
4.35 Turning radius	W <sub>a</sub> mm	1526 <sup>4,7,10</sup> /1631 <sup>4,7</sup> /1643 <sup>4</sup>	1450 <sup>3,4,7,10</sup> /1553 <sup>3,4,7</sup> /1565 <sup>3,4</sup>	1650 <sup>3,4,7,10</sup> /1765 <sup>3,4</sup>	1526 <sup>4,7,10</sup> /1631 <sup>4,7</sup> /1643 <sup>4</sup>	1450 <sup>3,4,7,10</sup> /1553 <sup>3,4,7</sup> /1565 <sup>3,4</sup>	1650 <sup>3,4,7,10</sup> /1765 <sup>3,4</sup>	1640 <sup>7,10</sup> /1745 <sup>7</sup> /1757	1564 <sup>3,7,10</sup> /1667 <sup>3,7</sup> /1679 <sup>3</sup>	1764 <sup>3,4,7,10</sup> /1879 <sup>3,4</sup>	
Performance	5.1 Travel speed	laden/unladen km/h 6.0/6.0	6.0/6.0	6.0/6.0	6.0/6.0	6.0/6.0	6.0/6.0	6.0/6.0	6.0/6.0	6.0/6.0	
	5.2 Lift speed	laden/unladen m/s 0.16/0.30	0.16/0.30	0.16/0.30	0.15/0.30	0.15/0.30	0.15/0.30	0.15/0.30	0.15/0.30	0.15/0.30	
	5.3 Lowering speed	laden/unladen m/s 0.40/0.35	0.40/0.35	0.40/0.35	0.40/0.35	0.40/0.35	0.40/0.35	0.40/0.35	0.31/0.31	0.31/0.31	
	5.8 Max. gradeability KB 5	laden/unladen % 10.0 <sup>9</sup> /23.0 <sup>9</sup>	8.0/22.0	10.0 <sup>9</sup> /22.0	10.0 <sup>9</sup> /23.0 <sup>9</sup>	8.0/22.0	10.0 <sup>9</sup> /22.0	8.0 <sup>9</sup> /23.0 <sup>9</sup>	8.0/23.0	8.0/23.0	
5.10 Service brake		Electromagnetic	Electromagnetic	Electromagnetic	Electromagnetic	Electromagnetic	Electromagnetic	Electromagnetic	Electromagnetic	Electromagnetic	
Electric engine	6.1 Drive motor, rating S2 = 60 min	kW 1.5	1.5	1.5	1.5	1.5	1.5	1.5	1.5	1.5	
	6.2 Lift motor, rating at S3 15%	kW 3.2	3.2	3.2	3.2	3.2	3.2	3.2	3.2	3.2	
	6.3 Battery according to DIN 43531/35/36 A, B, C, no		2PzS	2PzS	2PzS	2PzS	2PzS	2PzS	3PzS	3PzS	3PzS
	6.4 Battery voltage/rated capacity K <sub>5</sub>	V/Ah	24/230 Li-Ion: 24/205	24/230 Li-Ion: 24/205	24/230	24/230 Li-Ion: 24/205	24/230 Li-Ion: 24/205	24/230	24/345	24/345	24/345
	6.5 Battery weight $\pm$ 5% (depends on make)	kg 212	212	212	212	212	212	212	288	288	288
	6.6 Energy consumption according to VDI cycle	kWh/h 1.14	1.24	1.24	1.24	1.15	1.25	1.25	1.44	1.57	1.62
Other	8.1 Drive control		AC control	AC control	AC control	AC control	AC control	AC control	AC control	AC control	
	8.4 Sound pressure level at driver's ear	dB(A) $\leq$ 66	$\leq$ 66	$\leq$ 66	$\leq$ 66	$\leq$ 66	$\leq$ 66	$\leq$ 66	$\leq$ 66	$\leq$ 66	

- <sup>1</sup> Load capacity on initial lift
- <sup>2</sup> With Tele or HiLo mast (x -26 mm; l<sub>1</sub> and l<sub>2</sub> +26 mm with Triplex mast)
- <sup>3</sup> Wheel arms raised
- <sup>4</sup> +75 mm with 3PzS and +150 mm with 4PzS
- <sup>5</sup> All load values applicable to trucks with tele masts h<sub>1</sub> = 1915 mm
- <sup>6</sup> With tandem rollers
- <sup>7</sup> Values with creep speed drawbar
- <sup>8</sup> Preferred while using a pallet cage; a carriage with forks thickness s = 61 mm is also available
- <sup>9</sup> With sharp-edged ramp break-over angle
- <sup>10</sup> Values refer to the chassis



Top view



Side view

## EXV 14 - EXV 20 High Lift Pallet Truck Mast Tables

		Tele								
		EXV 14 - EXV 14i - EXV 16 - EXV 16i								
EXV 14 - EXV 14i - EXV 16 - EXV 16i	Height	$h_1$	mm	1415	1665	1915	2115	2365	2565	2815
	Mast height with used free lift ( $h_3 = 150$ mm)	$h_1'$	mm	1490	1740	1990	2190	2440	2640	2890
	Free lift <sup>2</sup>	$h_2$	mm	150	150	150	150	150	150	150
	Lift	$h_3$	mm	1844	2344	2844	3244	3744	4144	4644
	Height, mast extended <sup>3</sup>	$h_4$	mm	2364	2864	3364	3764	4264	4664	5164

		HiLo								Triplex								
		EXV 14 - EXV 14i - EXV 16 - EXV 16i																
EXV 14 - EXV 14i - EXV 16 - EXV 16i EXV 14/16 D	Height	$h_1$	mm	1415	1665	1915	2115	2365	2565	1665	1915	2065	2165	2265	2315	2365	2365	2515
	Free lift <sup>1</sup>	$h_2$	mm	895	1145	1395	1595	1845	2045	1145	1395	1545	1645	1745	1795	1845	1845	1995
	Lift	$h_3$	mm	1844	2344	2844	3244	3744	4144	3516	4266	4716	5016	5316	5466	5616	5616	6066
	Height, mast extended <sup>3</sup>	$h_4$	mm	2364	2864	3364	3764	4264	4664	4036	4786	5236	5536	5836	5986	6136	6136	6586

<sup>1</sup> - 566 mm with load backrest

<sup>2</sup> With increased mast height  $h_1'$

<sup>3</sup> + 566 mm with load backrest (height above the forks 1000 mm)

		Tele						HiLo			Triplex		
		EXV 20 - EXV 20i											
EXV 20 - EXV 20i EXV 20 D	Height	$h_1$	mm	1915	2115	2365	1915	2115	2365	1665	1915	2065	
	Mast height with used free lift ( $h_3 = 150$ mm)	$h_1'$	mm	1990	2190	2440	-	-	-	-	-	-	
	Free lift <sup>1</sup>	$h_2$	mm	-	-	-	1315	1515	1765	1065	1315	1465	
	Free lift <sup>2</sup>	$h_2$	mm	150	150	150	-	-	-	-	-	-	
	Lift	$h_3$	mm	2684	3084	3584	2684	3084	3584	3276	4026	4476	
Height, mast extended <sup>3</sup>	$h_4$	mm	3284	3684	4184	3284	3684	4184	3876	4626	5076		

<sup>1</sup> - 566 mm with load backrest

<sup>2</sup> With increased mast height  $h_1'$

<sup>3</sup> + 566 mm with load backrest (height above the forks 1080 mm)

HiLo: High stacking under low roof



## EXV 14 - EXV 20 High Lift Pallet Truck Detailed Photos



Safety in production: depending on tiller angle, speed is automatically adapted to the distance between the operator and the truck



High turnover performance due to double deck transport of non-stackable goods



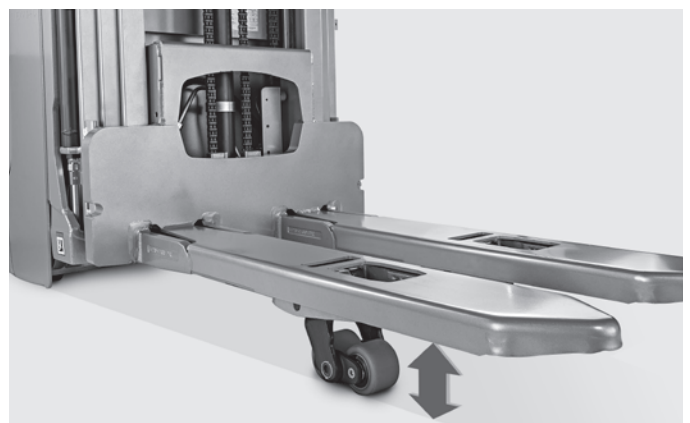
Everything in view, all the time: colour display with a range of language-independent symbols shows you all of the important functions at a glance



Precise in all situations: creep speed also makes it possible to manoeuvre in the most confined of spaces



STILL free view mast always ensures the best view of the tips of the forks



Optional initial lift gives more ground clearance on uneven floors

## EXV 14 - EXV 20 High Lift Pallet Truck

### Power meets innovation

---

Optimum utilisation of storage area: high storage compaction due to very high residual load capacity

Everything in view, all the time: colour display with a range of language-independent symbols shows you all of the important functions at a glance

Always available: battery capacities of up to 375 Ah and Li-Ion enable long periods of operation



Stronger and more intelligent than the rest – that's the STILL EXV 14-20 high lift pallet truck. Two of its stand-out features are its huge residual load capacity and its smart colour display. The latter provides the operator with basic information, the truck status or the battery's state of charge at a glance at all times, and different language-independent symbols provide optimum support in operation. The smart and extremely mobile warehouse organiser moves pallets weighing up to 2,000 kg quickly, safely and reliably. It can achieve unprecedented reloading of pallets thanks to its powerful and low-maintenance motor and its precise control elements, which are suitable for either left- or right-handed operators.

The letters EXV are not, however, just synonymous with quick goods handling, but also with safe goods handling. The optional load capacity diagram and Dynamic Load Control shows what is possible. The curved tiller shape and the sensitive impact plate protect the driver, and the EXV stops automatically when the tiller is released – even on ramps. The OptiSpeed tiller also adjusts the speed of the EXV to the distance from the operator, while the Curve Speed Control system regulates the speed around bends. This high lift pallet truck, which is as strong as it is smart, allows you to always keep your flow of goods safely under control; from transporting loads within the pre-storage area to operating the shelving system.

## Extensive Equipment

---

### Power

---

- Battery capacities of up to 375 Ah, lateral battery change as well as Li-Ion batteries which can be used for opportunity charge ensure high availability
- Optimal utilisation of storage space: high storage compaction due to very high residual load capacity
- High reloading performance: powerful, reliable and low-maintenance electrical drive and steering motor
- The right driving programme for all situations: Select maximum turnaround or maximum efficiency: ECO, BOOST or Blue-Q
- Performance boost in production: very high lift and sink speeds
- Brings power to the floor effectively: new chassis ensures optimum traction at all times
- Double load: optional double deck transport for various applications

### Precision

---

- Fatigue-free operation: precise and intuitive electrical steering unit
- Precise operation even in the most confined spaces: sensitive proportional valve control and optional creep speed function
- Best views for precise operation: free view mast and centrally mounted tiller ensure clear view of the tips of the forks
- Reliable, even in narrow spaces: compact dimensions and high manoeuvrability

### Ergonomics

---

- Ergonomic and intuitive operation: driving, lifting and steering processes can be simultaneously controlled by left- or right-handed operators using just one hand
- Battery changing made easy: optional lateral battery change for even greater availability

- Easing of workload: easy to operate, ergonomically shaped STILL tiller head

### Compactness

---

- Impressive reloading of pallets: compact size allows for quick and safe operation
- Additional storage space for goods: copes with narrow aisles thanks to its compact dimensions and high manoeuvrability

### Safety

---

- Safety in production: OptiSpeed tiller adapts speed automatically depending on distance between the operator and the truck
- Knowing the weight: Dynamic Load Control indicates the weight of the load and the associated lift height
- Safety in mind: optional load capacity display shows the operator the current mast height and associated residual load capacity at all times
- Safe around corners: Curve Speed Control automatically adapts the speed when cornering to the steering angle

### Environmental Responsibility

---

- Low operational costs: low energy consumption and long maintenance intervals
- Blue-Q efficiency mode allows energy savings of up to 7 per cent at the press of a button with no loss of performance
- Very few noise emissions due to extremely quiet drive and lifting motor
- Over 95 percent of all materials used are recyclable
- ECO driving programme: maximum energy efficiency at the touch of a button

# EXV 14 - EXV 20 High Lift Pallet Truck Equipment Variants



	EXV 14	EXV 14i/ EXV 16 D	EXV 16	EXV 16i/ EXV 16 D	EXV 20	EXV 20i/ EXV 20 D	
General	Display and operating unit with colour display for selection of driving programme	●	●	●	●	●	
	Integrated storage facilities	●	●	●	●	●	
	Two-tonne load capacity with initial lift when mast is not used	—	●	—	●	—	
	Easy-grip tiller for left and right-handed operators	●	●	●	●	●	
	Different driving programmes	●	●	●	●	●	
	New Blue-Q energy-saving system	●	●	●	●	●	
	Fork length 1400/1600 mm, non-deflecting	○	○/—	○	○/—	○	○
	Fork length 1400/1600 mm for cage pallets	○	○/—	○	○/—	—	—
	Accessory bar	○	○	○	○	○	○
	Electric preparation for data terminal	○	○	○	○	○	○
	Cold storage version	○	○	○	○	○	○
	High-performance rotary driving motor has very low maintenance costs	●	●	●	●	●	●
	Fully capsulated components, protected against dust and dirt	●	●	●	●	●	●
	Electrical steering unit: AC steering motor for exceptionally fatigue-free operation	●	●	●	●	●	●
	Proportional valve technology for high-precision movements	●	●	●	●	●	●
	Double deck application	—	—/●	—	—/●	—	—/●
Mast	Duplex mast	○	○	○	○	○	
	HiLo mast	○	○	○	○	○	
	Triplex mast	○	○	○	○	○	
	Mast protective grille	●	●	●	●	●	
	Protective mast screen made from polycarbonate	○	○	○	○	○	
	Initial lift	—	●	—	●	—	
	Automatic lowering of initial lift at 1,500 mm mast height	—	○/—	—	○/—	—	
Wheels	Drive wheel tyres, polyurethane	●	●	●	●	●	
	Drive wheel tyres, polyurethane, profiled	○	○	○	○	○	
	Drive wheel tyres, solid rubber	○	○	○	○	○	
	Drive wheel tyres, solid rubber, profiled	○	○	○	○	○	
	Drive wheel tyres, polyurethane (75 Shore) for better traction	○	○	○	○	○	
	Drive wheel tyres, solid rubber, natural-coloured	○	○	○	○	○	
	Load roller tyres, polyurethane, single	○	○	○	○	○	
	Load roller tyres, polyurethane, tandem	●	●	●	●	●	
	Stabilising wheel, single	●	●	●	●	—	
	Stabilising wheel, double	○	○	○	○	●	
Safety	FleetManager: access authorisation, shock detection, reports	○	○	○	○	○	
	Curve Speed Control: reduction when driving around corners	●	●	●	●	●	
	OptiSpeed tiller: maximum driving speed controlled by the tiller angle	●	●	●	●	●	
	Vertical tiller creep speed button with lift/lowering	○	○	○	○	○	
	Access authorisation with STILL key	●	●	●	●	●	
	PIN code access	○	○	○	○	○	
	Load backrest	○	○	○	○	○	
	Colour-coded load capacity diagram on the mast	○	○	○	○	○	
Battery system	Dynamic Load Control	○	○/—	○	○/—	○/—	
	For battery up to 250 Ah for battery replacement using crane	●	●	●	●	●	
	For battery up to 375 Ah for battery replacement using crane	○	○	○	○	○	
	For battery up to 375 Ah for battery replacement using roller track and changing frame	○	○	○	○	○	
	Built-in charger for battery replacement using crane	○	○	○	○	○	
	STILL Li-Ion battery 205 Ah	○	○	○	○	—	
STILL Li-Ion battery 410 Ah	○	○	○	○	—		

● Standard ○ Option — Not available



STILL GmbH  
Berzeliusstraße 10  
D-22113 Hamburg  
Tel.: +49 (0)40/73 39-20 00  
Fax: +49 (0)40/73 39-20 01  
info@still.de

**For further information please visit:**  
**[www.still.eu](http://www.still.eu)**

STILL is certified in the following areas: Quality management, occupational safety, environmental protection and energy management.



first in intralogistics